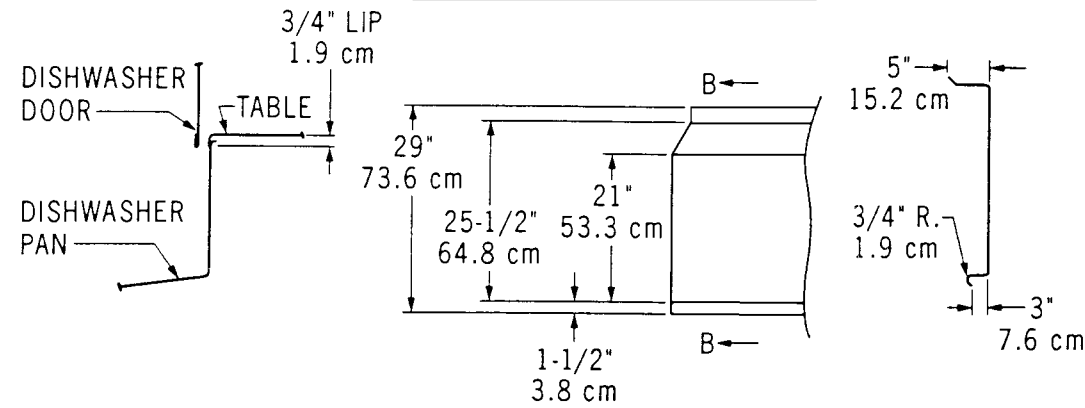


**CAUTION:**

Electrical and plumbing connections should be made by a qualified Service Person who will comply with all available federal, state, and local Health, Electrical, Plumbing, and Safety codes.

\*Manufacturer reserves the right to modify these specifications in compliance with regulatory agencies and manufacturing expediency.

**TYPICAL TABLE DETAILS**



**L3-DW**

**FAMILY MODELS**

	L60-3DW	L72-3DW	L90-3DW
	L60-3DWC	L72-3DWC	L90-3DWC

<b>NSF RATED CAPACITY (RACKS/HOUR)</b>	55	46	37
<b>WASH TIME (IN SECONDS)</b>	36	43	50
<b>RINSE TIME (IN SECONDS)</b>	15	19	30
<b>DWELL (IN SECONDS)</b>	09	10	10
<b>GALLONS PER HOUR</b>	66	55	44
<b>TOTAL CYCLE TIME (IN SECONDS)</b>	60	72	90

**WATER TEMPERATURE OF SUPPLY WATER (NSF)** ..... **120° F. MINIMUM**  
or 49. Celsius

**WATER CONSUMPTION (NSF RATED)** ..... **1.2 GALS. PER CYCLE**  
or 4.5 liters/cycle

**MOTOR RATING** ..... (1.125 KW) **1.5 HORSEPOWER**

**ELECTRICAL RATING (NEC)** ..... 115 Vac, 20amp breaker, 50/60Hz, 1 phase

**RACK SIZE** ..... **STANDARD 19.75" X 19.75"**  
or 50.2 x 50.2 cm

**DOOR CLEARANCE** ..... **17.75" TALL x 20.75" WIDE**  
or 45.1 x 52.7 cm

**WATER INLET** ..... (1/2") F.P.T.

**DRAIN SIZE** ..... (1-1/2") F.P.T.

**HEIGHT (ADJUSTER FEET WILL GIVE)** **MIN: 67.5", MAX: 68.48"**  
or 171.5 to 173.9 cm

**WIDTH (OVERALL)** ..... **29"**  
or 73.6 cm

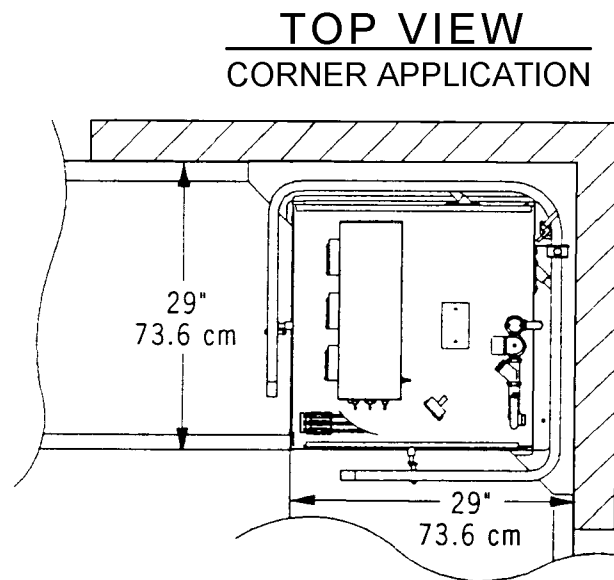
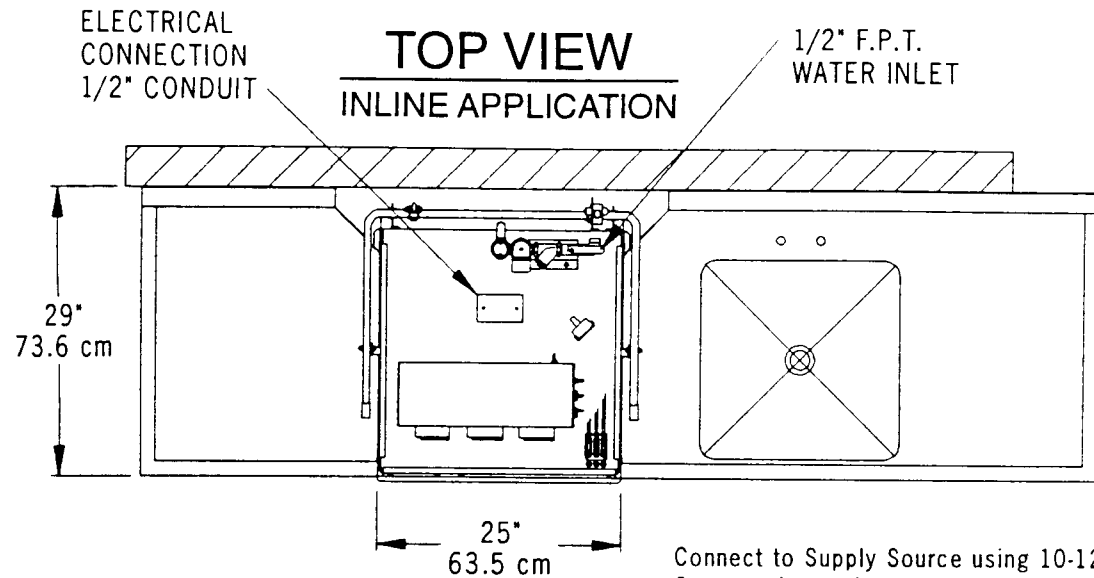
**WIDTH, TABLE TO TABLE (INLINE MODEL)** ..... **25"**  
or 63.5 cm

**DEPTH (OVERALL)** ..... **28"**  
or 71.1 cm

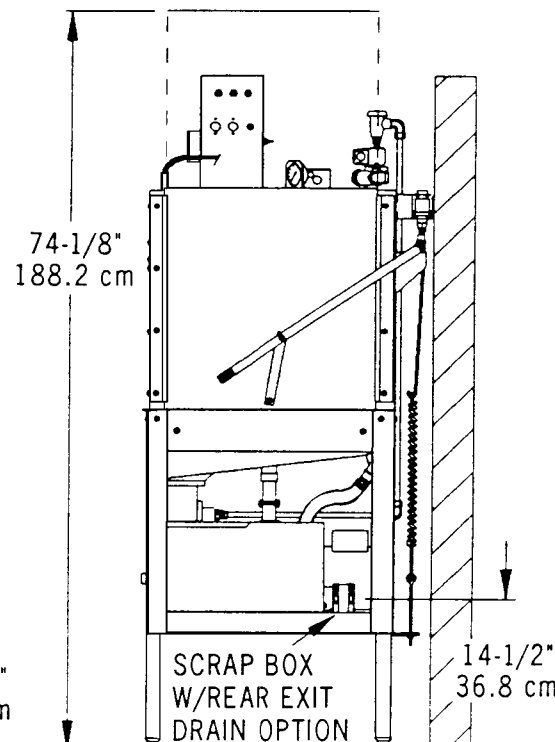
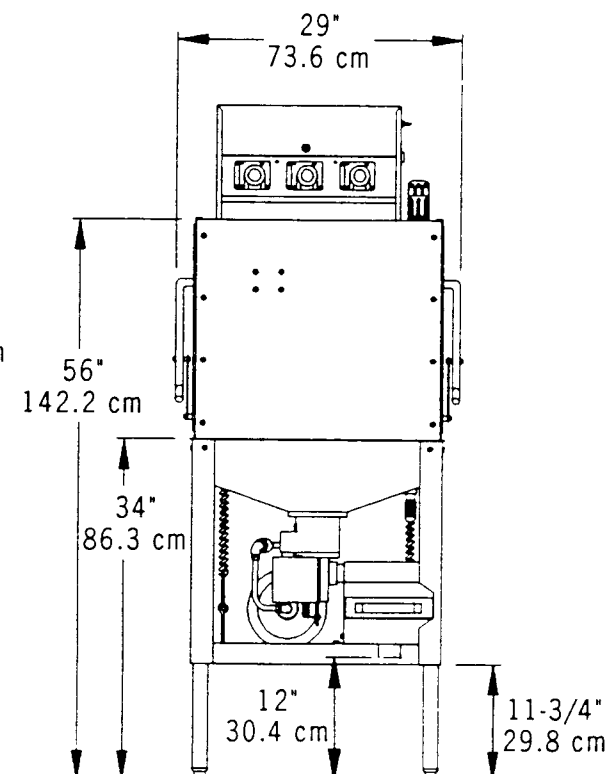
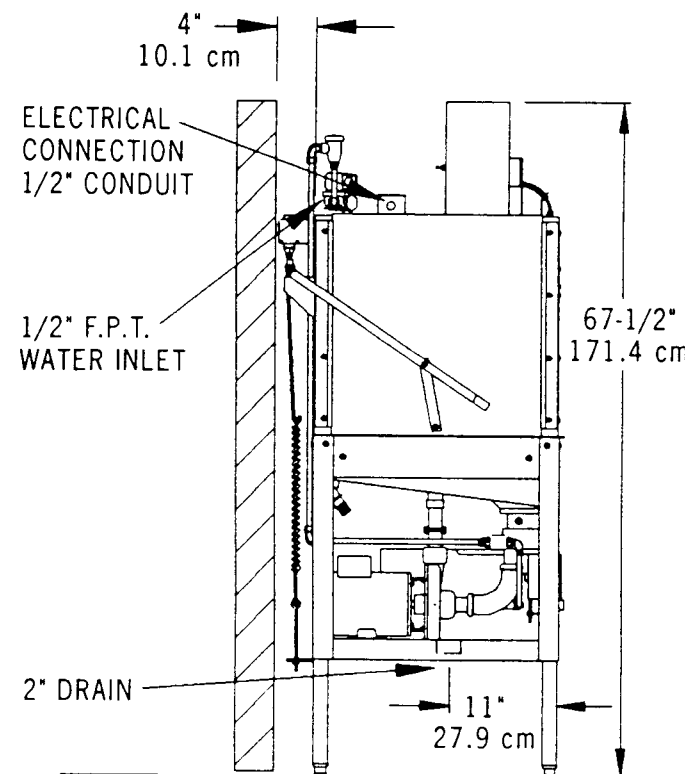
**SHIPPING WEIGHT** ..... **307 POUNDS**  
or 139.2 kg

**SHIPPING VOLUME (CRATED)** ..... **56.7 CU. FT.**  
or 1.58 cu meters

Effective 2/19/97



Connect to Supply Source using 10-12 AWG Copper wires using non-time delay fuse of 20 amp rating or 20 amp circuit breaker.



**SIDE VIEW**

**FRONT VIEW**

**SIDE VIEW**