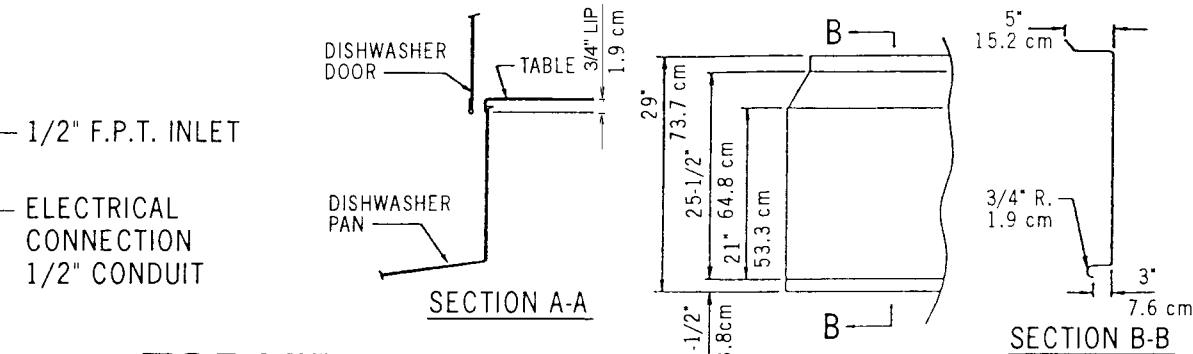
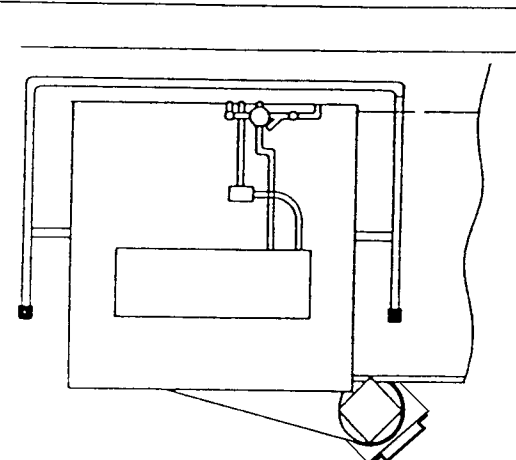


**TOP VIEW  
CORNER APPLICATION**



**TOP VIEW  
IN-LINE APPLICATION**

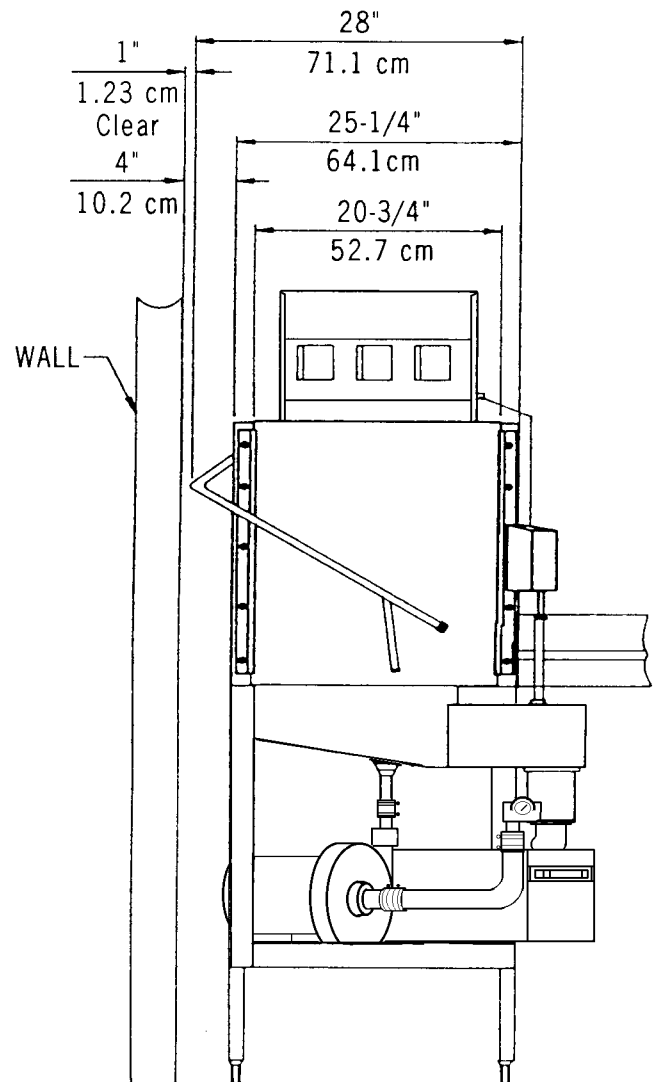
**TOP VIEW  
TYPICAL TABLE DETAILS**



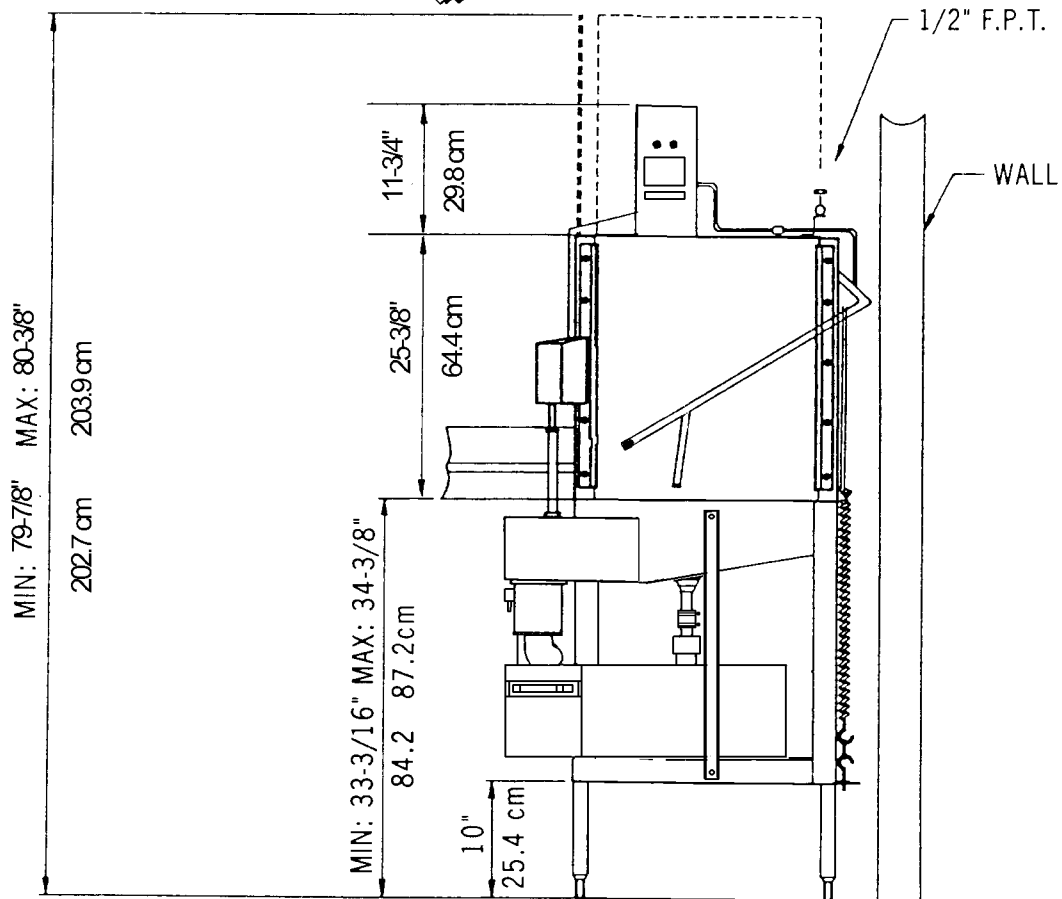
**CAUTION:**

Electrical and plumbing connections should be made by a qualified Service Person who will comply with all available federal, state, and local Health, Electrical, Plumbing, and Safety Codes.

Connect to Supply Source using 10-12 AWG wires using non-time delay fuse of 20 amp. rating or 20 amp. circuit breaker.



**SIDE VIEW**



**SIDE VIEW**

\*Manufacturer reserves the right to modify these specifications in compliance with regulatory agencies and manufacturing expediency.



**Models AF-3DS / AFC-3DS**

**Specifications**

	<b>FAMILY MODELS</b>	
	<b>AF-3DS AFC-3DS</b>	<b>AH-3DS AHC-3DS</b>
<b>NSF RATED CAPACITY (RACKS/HOUR)</b>	<b>37</b>	<b>23</b>
<b>WASH TIME (IN SECONDS)</b>	<b>45</b>	<b>75</b>
<b>RINSE TIME (IN SECONDS)</b>	<b>30</b>	<b>60</b>
<b>DWELL (IN SECONDS)</b>	<b>15</b>	<b>15</b>
<b>TOTAL CYCLE TIME (IN SECONDS)</b>	<b>90</b>	<b>150</b>
<b>WATER TEMPERATURE OF SUPPLY WATER (NSF)</b>	<b>120° F. MINIMUM</b> or 49. Celsius	
<b>WATER CONSUMPTION (NSF RATED)</b>	<b>2.2 GALS. PER CYCLE</b> or 8.3 liters/cycle	
<b>MOTOR RATING</b>	<b>(1.125 KW) 1.5 HORSEPOWER</b>	
<b>ELECTRICAL RATING (NEC)</b>	<b>.115 Vac, 20amp breaker, 50/60Hz, 1 phase</b>	
<b>RACK SIZE</b>	<b>STANDARD 19.75" X 19.75"</b> or 50.2 x 50.2 cm	
<b>DOOR CLEARANCE</b>	<b>20.75" TALL x 20.5" WIDE</b> or 44.4 x 52.1 cm	
<b>WATER INLET</b>	<b>(1/2") F.P.T.</b>	
<b>DRAIN SIZE</b>	<b>(1-1/2")</b>	
<b>HEIGHT ADJUSTER FEET WILL GIVE</b>	<b>MIN: 70.32" , MAX: 71.29"</b> or 171.5 to 173.9 cm	
<b>WIDTH (OVERALL)</b>	<b>33.5"</b> or 85.1 cm	
<b>WIDTH, TABLE TO TABLE (INLINE MODEL)</b>	<b>25"</b> or 63.5 cm	
<b>DEPTH (OVERALL)</b>	<b>34.25"</b> or 86.9cm	
<b>SHIPPING WEIGHT</b>	<b>295 POUNDS</b> or 129.3 kg	
<b>SHIPPING VOLUME (CRATED)</b>	<b>56.7 CU. FT.</b> or 1.58 cu meters	